

**PLEASE CHECK WWW.MOLEX.COM FOR LATEST PART INFORMATION**

**Part Number:** **0483251104**  
**Status:** **Active**  
**Overview:** Slimline Serial ATA ODD Connectors  
**Description:** 1.00mm (.039"), 1.27mm (.050") Pitch Slimline Serial ATA Receptacle, Right Angle, Reverse Type, Through Hole, 0.76µm (30µ") Gold (Au), with Screw and Clip, Lead free

**Documents:**

[3D Model](#) [Product Specification PS-48321-001 \(PDF\)](#)  
[Drawing \(PDF\)](#) [RoHS Certificate of Compliance \(PDF\)](#)

**Agency Certification**

CSA LR19980  
 UL E29179

**General**

Product Family PCB Receptacles  
 Series [48325](#)  
 Application Board-to-Board  
 Comments Screw and Clip version  
 Overview [Slimline Serial ATA ODD Connectors](#)  
 Product Name Serial ATA, Slimline Serial ATA

**Physical**

Circuits (Loaded) 13  
 Circuits (maximum) 13  
 Color - Resin Black  
 Durability (mating cycles max) 500  
 Flammability 94V-0  
 Glow-Wire Compliant No  
 Guide to Mating Part Yes  
 Keying to Mating Part Yes  
 Lock to Mating Part No  
 Material - Metal Copper Alloy  
 Material - Plating Mating Gold  
 Material - Plating Termination Tin  
 Material - Resin High Temperature Thermoplastic  
 Number of Rows 1  
 Orientation Right Angle  
 PCB Locator Yes  
 PCB Retention Yes  
 PCB Thickness Recommended (in) 0.047 In  
 PCB Thickness Recommended (mm) 1.20 mm  
 Packaging Type Embossed Tape on Reel  
 Pitch - Mating Interface (in) 0.039 In, 0.050 In  
 Pitch - Mating Interface (mm) 1.00 mm, 1.27 mm  
 Pitch - Term. Interface (in) 0.039 In, 0.050 In  
 Pitch - Term. Interface (mm) 1.00 mm, 1.27 mm  
 Plating min: Mating (µin) 30  
 Plating min: Mating (µm) 0.76  
 Plating min: Termination (µin) 100  
 Plating min: Termination (µm) 2.54  
 Polarized to Mating Part Yes  
 Polarized to PCB Yes  
 Robotic Placement Pick and Place Cap  
 Stackable No  
 Surface Mount Compatible (SMC) Yes

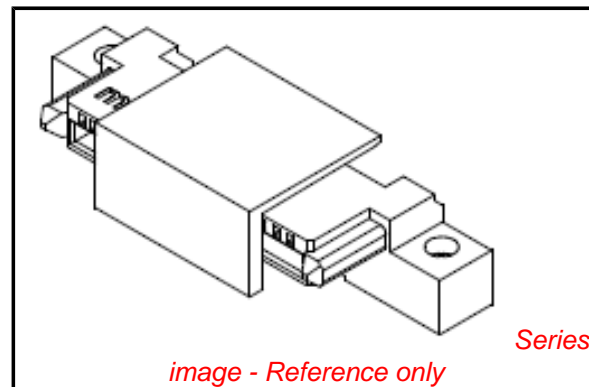


image - Reference only

**EU RoHS**

**ELV and RoHS  
 Compliant**  
**REACH SVHC  
 Not Reviewed**  
**Halogen-Free  
 Status  
 Not Reviewed**

**China RoHS**



**Need more information on product  
 environmental compliance?**

Email [productcompliance@molex.com](mailto:productcompliance@molex.com)  
 For a multiple part number RoHS Certificate of Compliance, [click here](#)

Please visit the [Contact Us](#) section for any non-product compliance questions.

**Search Parts in this Series**

[48325Series](#)

**Mates With**

[473001xxx Slimline Serial ATA Plugs](#)

Temperature Range - Operating -40°C to +85°C  
Termination Interface: Style Through Hole

**Electrical**

Current - Maximum per Contact 1A  
Grounding to PCB Yes  
Voltage - Maximum 15V (RMS)

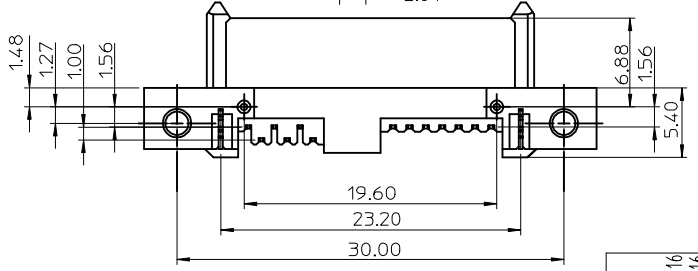
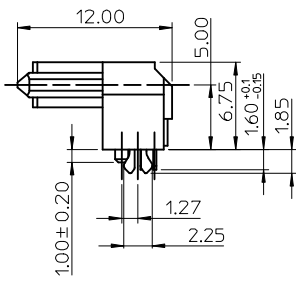
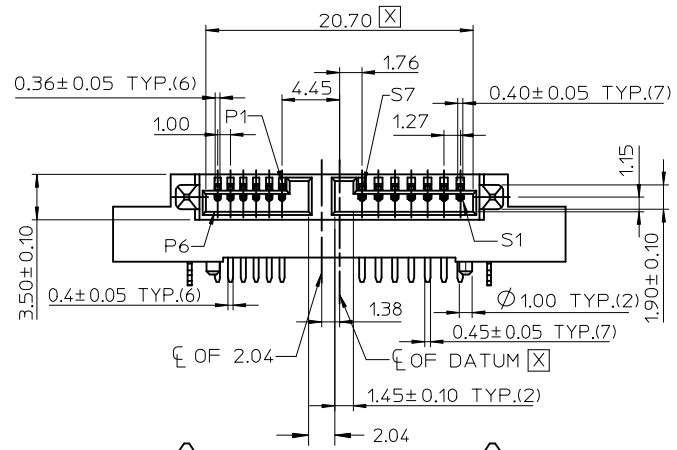
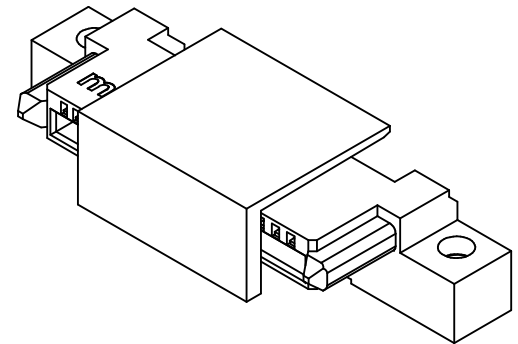
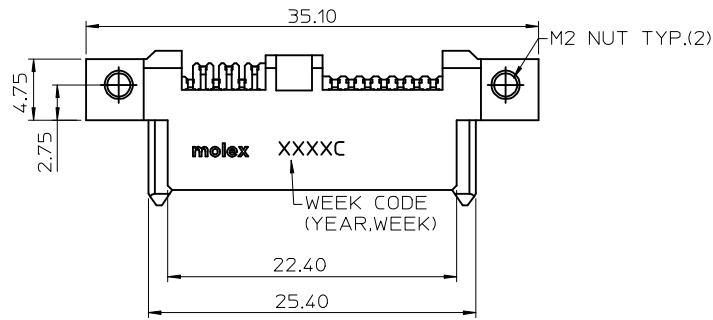
**Material Info**

**Reference - Drawing Numbers**

Product Specification PS-48321-001  
Sales Drawing SD-48325-003

This document was generated on 04/14/2010

**PLEASE CHECK [WWW.MOLEX.COM](http://WWW.MOLEX.COM) FOR LATEST PART INFORMATION**



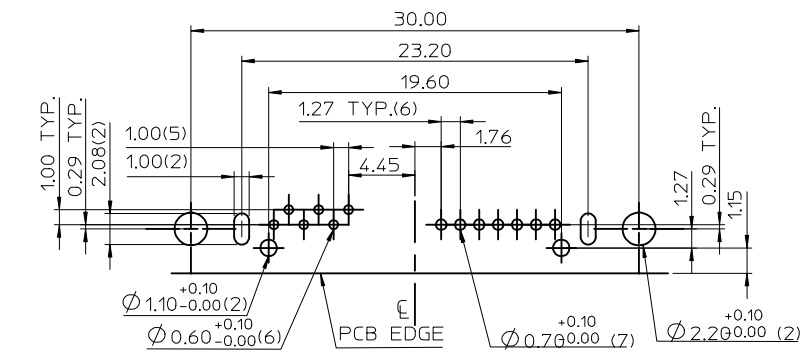
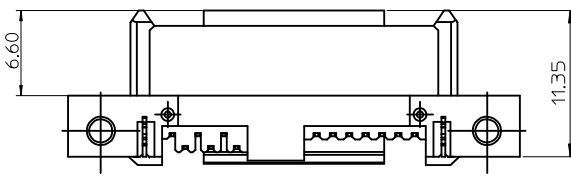
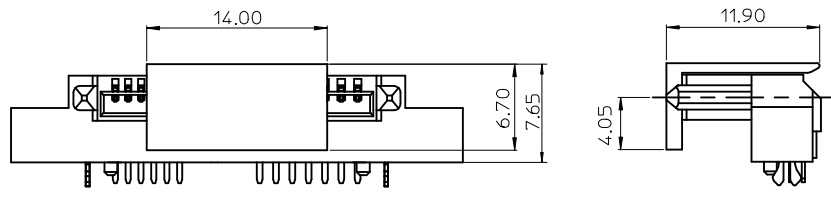
REVISED	EC NO: SH2009-0407	2008/12/16
DRW: LIZHOU	CHYKD: DMZHANG02	2008/12/16
APPR: HWWANG		2008/12/23

QUALITY SYMBOLS	DESCRIPTION
▽=0	
∇=0	

GENERAL TOLERANCES (UNLESS SPECIFIED)	mm	INCH
4 PLACES	± ---	± ---
3 PLACES	± ---	± ---
2 PLACES	± 0.25	± ---
1 PLACE	± 0.25	± ---
ANGULAR ± 3 °		
DRAFT WHERE APPLICABLE MUST REMAIN WITHIN DIMENSIONS		

DIMENSION STYLE		SCALE	DESIGN UNITS
MM ONLY		1:1	METRIC
DRAWN BY	DATE	TITLE	
LINDA	2008/09/10	SLIMLINE SATA RECEPTACLE REVERSE RIGHT ANGLE WITH SCREW & CLIP	
CHECKED BY	DATE	MOLEX INCORPORATED	
DMZHANG02	2008/09/10	DOCUMENT NO. SD-48325-003	
APPROVED BY	DATE	SHEET NO. 1 OF 2	
HWWANG	2008/09/10		
MATERIAL NO. SEE SHEET 2			

THIRD ANGLE PROJECTION
------------------------



RECOMMENDED PC BOARD LAYOUT  
TOLERANCE: ±0.05mm(TOP VIEW)

P/N	PLATING OPTIONS	WITHSTANDING MFG TEST
48325-1104	30 MICROINCH	YES
48325-1105	15 MICROINCH	NO
48325-1106	GOLD FLASH	NO

- NOTES:
- MATERIAL:  
HOUSING & CAP: LIQUID CRYSTAL POLYMER, GLASS FIBER FILLED, UL94V-0, BLACK COLOR.  
TERMINAL: COPPER ALLOY.  
NUT: ZINC ALLOY  
CLIP: COPPER ALLOY.
  - PLATING:  
TERMINAL:  
CONTACT AREA: SEE TABLE  
SOLDER TAIL: MATTE TIN PLATED, THICKNESS=100 MICROINCH MIN/2.54 MICROMETER MIN.  
UNDER PLATE: NICKEL(Ni) PLATED OVERALL.  
NUT: NICKEL(Ni) PLATED, THICKNESS=50 MICROINCH MIN/1.27 MICROMETER MIN.  
CLIP: TIN(Sn) PLATED, THICKNESS=100 MICROINCH MIN/2.54 MICROMETER MIN.
  - MATES WITH: SERIES 47300.
  - RECOMMENDED PCB THICKNESS: 1.20 ± 0.05mm.
  - PRODUCT SPECIFICATION REFER TO PS-48321-001.
  - TEST SUMMARY REFER TO TS-48325-001.
  - PACKAGING SPECIFICATION REFER TO PK-48325-002.
  - LEAD FREE & RoHS COMPLIANT PRODUCT.

REVISED EC NO: SH2009-0407 DRWNL:WZHOU 2008/12/16 CHKD:DMZHANG02 2008/12/16 APPR:HWANG 2008/12/23	QUALITY SYMBOLS ▽=0 □=0	GENERAL TOLERANCES (UNLESS SPECIFIED)		DIMENSION STYLE MM ONLY		SCALE 1:1	DESIGN UNITS METRIC	THIRD ANGLE PROJECTION	
				DRAWN BY LINDA	DATE 2008/09/10	TITLE SLIMLINE SATA RECEPTACLE REVERSE RIGHT ANGLE WITH SCREW & CLIP			
				CHECKED BY DMZHANG02	DATE 2008/09/10	MOLEX INCORPORATED			
				APPROVED BY HWANG	DATE 2008/09/10	MATERIAL NO. SEE TABLE		DOCUMENT NO. SD-48325-003	SHEET NO. 2 OF 2
DRAFT WHERE APPLICABLE MUST REMAIN WITHIN DIMENSIONS		THIS DRAWING CONTAINS INFORMATION THAT IS PROPRIETARY TO MOLEX INCORPORATED AND SHOULD NOT BE USED WITHOUT WRITTEN PERMISSION							